



GRANDIO

G R E E N H O U S E S


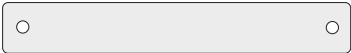
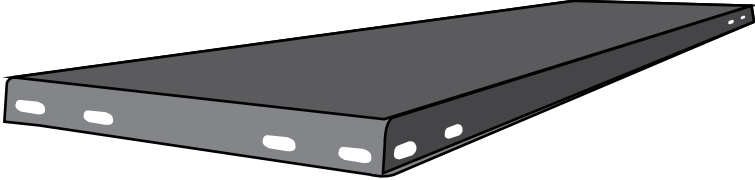




Model: **GRA-STAGE-HD**



GREENHOUSE TWO TIER STAGING TABLE USER MANUAL

© 2013 Grandio Greenhouses, Backyard Living Source Inc. All rights reserved.
August 7, 2017 Manual Edition

PARTS LIST

THG-04	LEG SUPPORTS	35x35x980	4	
THG-05	STRAP SUPPORTS	30x200	16	
THG-06	TABLE TOP	40x360x1105	2	
ML01/SO2	NUT & BOLT	M6*10	50	
W11	WRENCH	10mm	1	
ALLEN WRENCH	ALLEN WRENCH	4mm	1	
FOOT CAP	PLASTIC FOOT CAP		4	

INSTRUCTIONS

1.1 Use the **W11 10 mm WRENCH** with the **ALLEN WRENCH** to tighten the **ML01/S02** nut and bolt combos. Follow the diagram below to put your staging table together.

1.2 Attach **THG-04** to the outside of the (2) **THG-06's** using the provided nut and bolt combos as shown in the diagram. Note that the **THG-05** straps will attach over the **THG-06** and **THG-04** with the **ML01/S02** nut and bolt combos. Repeat on all corners.

1.3 Confirm that all nut and bolt combos are tightened, then attach the (4) **FOOT CAPS** to the bottom edges of the (4) **THG-04** legs.

